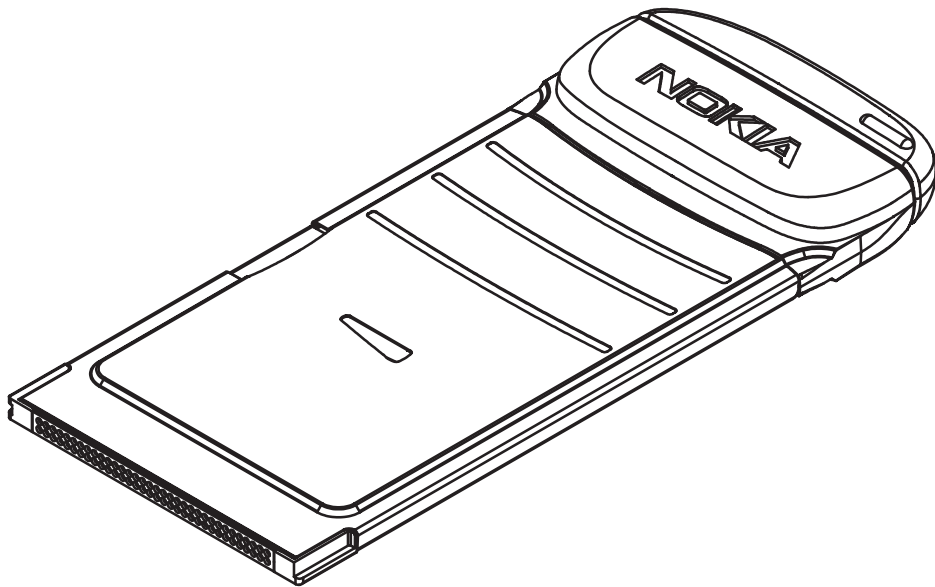


# PAMS Technical Documentation

## RPE-1 Series Transceiver

# Chapter 4

# TRANSCEIVER





## CONTENTS

### RPE-1 Transceiver

Introduction .....	2 – 5
Functional Description .....	2 – 5
Modules .....	2 – 5
Exploded View of RPE-1 .....	2 – 6
Assembly Parts of RPE-1 .....	2 – 7

This page intentionally left blank.

## Introduction

### Functional Description

The Transceiver Card RPE-1 is a GSM class 5 compatible cellular phone without a battery or user interface of its own. Instead, the device is computer controlled through the 68-pin PCMCIA connector. This connector is used to:

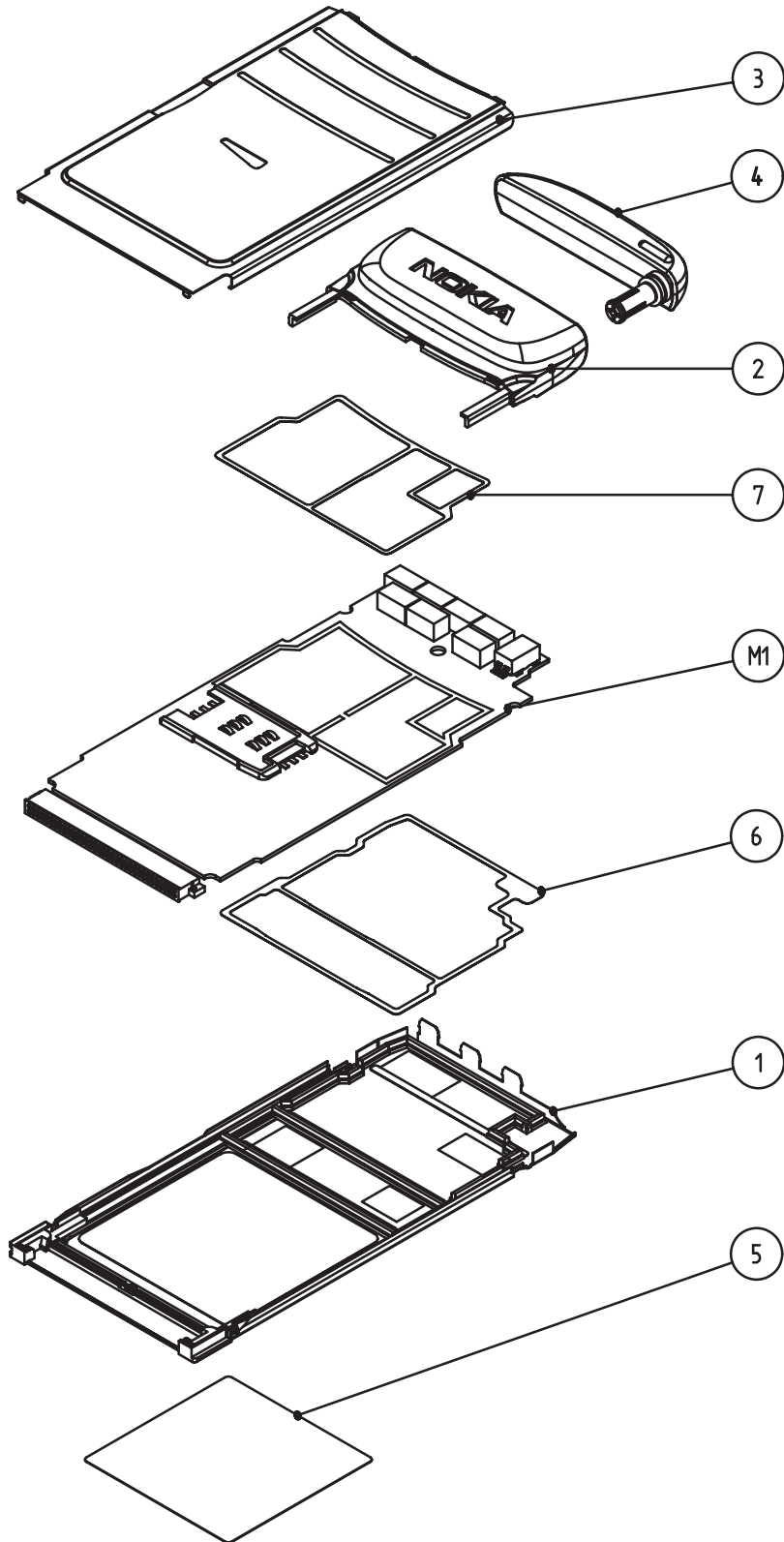
- 1) supply the card with all operating power it needs,
- 2) transfer operating commands and their responses,
- 3) transfer digitized speech or GSM data and control messages and
- 4) during production or servicing transfer tuning parameters and FLASH download data.

The RF block is designed for a mobile phone which operates in GSM systems. The purpose of the RF module is to receive and demodulate radio frequency signal from the base station and to transmit a modulated RF signal to the base station.

### Modules

Transceiver Card RPE-1	0630080
• RF/System Module GX8	0200830
• mechanics MRP-1	0261129

### Exploded View of RPE-1



**Assembly Parts of RPE-1**

ITEM	Q'TY	CODE	DESCRIPTION	VALUE, TYPE
1		9507004	Bottom Cover Assembly	
2		9477001	Extended Box Assembly	
3		9507008	Top Cover	DMC01178
4		0660141	Antenna	890 – 960 MHz
5		9380738	Type label	continuous sheet
6.		9480414	Contact Tape Bottom	
7.		9480413	Contact Tape Top	
M1		0200830	RF/System Module	GX8

This page intentionally left blank.